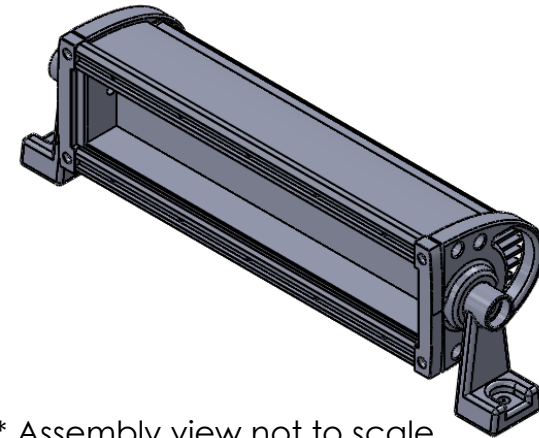
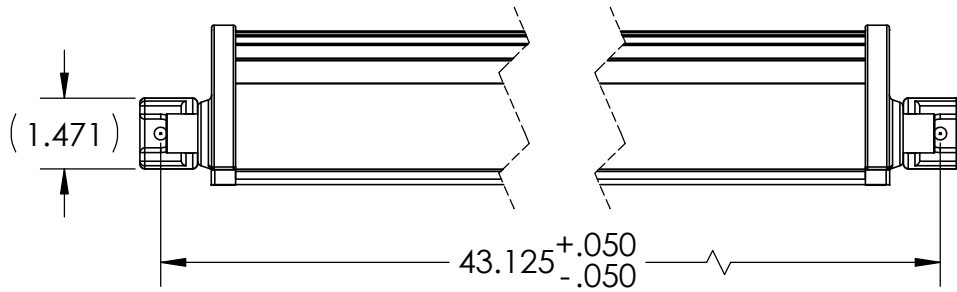
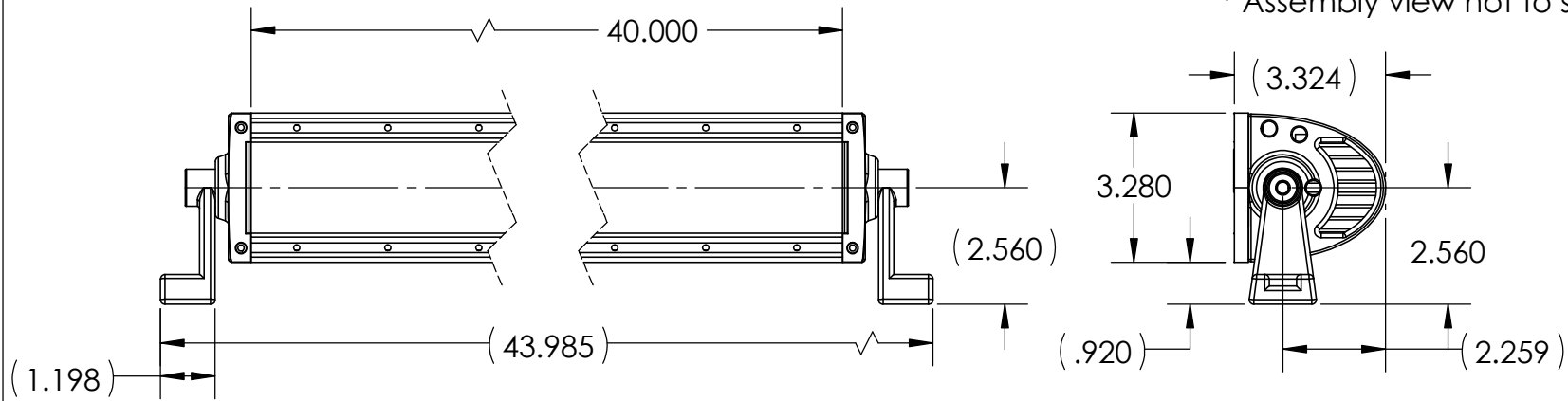


Date	DESCRIPTION	Rev
8/2/2013	INITIAL RELEASE	A



* Assembly view not to scale



Notes

Finish: Mar/UV Resistant Paint

Material: Aluminum

Unless Otherwise Specified:

.XXX = 0.010
.XX = .015
.X = .03

XX° = +/- .05°
X° = +/- .5°

PROPRIETARY AND CONFIDENTIAL

THE INFORMATION CONTAINED IN THIS DRAWING IS THE SOLE PROPERTY OF MotoAlliance Inc. ANY REPRODUCTION IN PART OR AS A WHOLE WITHOUT THE WRITTEN PERMISSION OF MotoAlliance Inc. IS PROHIBITED.

SIRIUS LED
by MotoAlliance

TITLE:

40" Double Row Light Bar

SIZE
A

DWG. NO.
LED-D40

REV
A

SCALE: 1:4

SHEET 1 OF 1