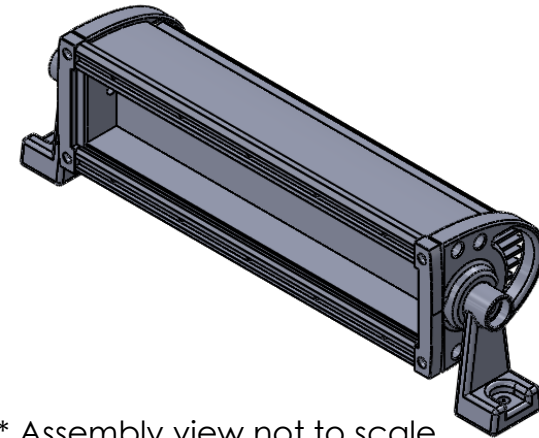
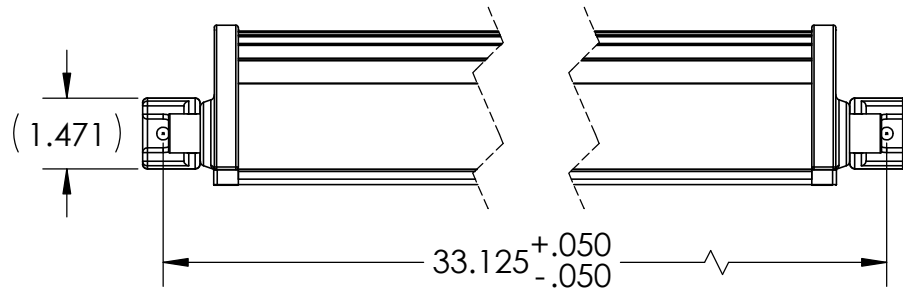
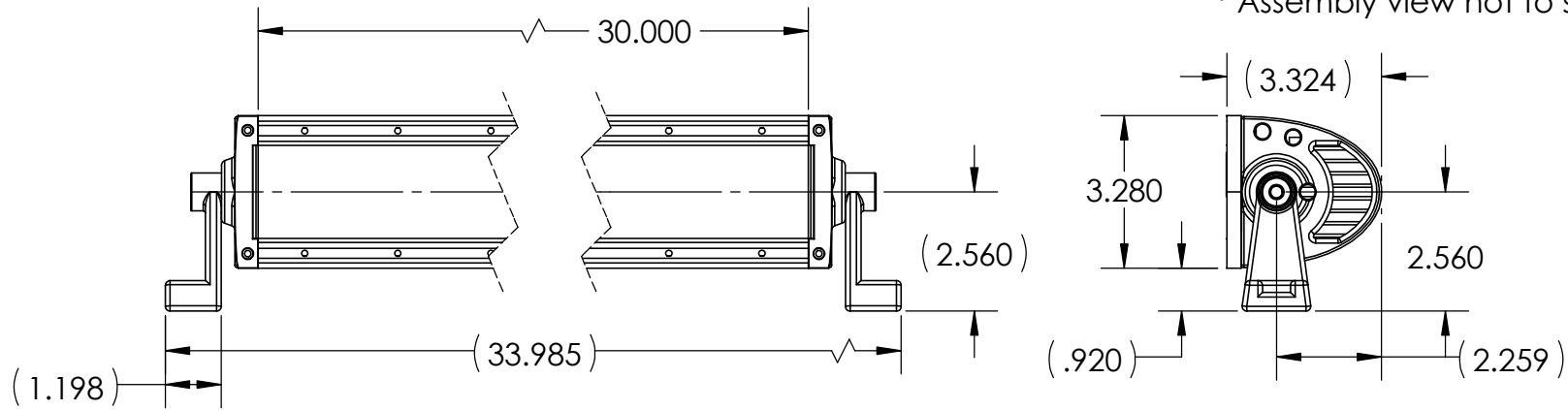


Date	DESCRIPTION	Rev
8/2/2013	INITIAL RELEASE	A



\* Assembly view not to scale



## Notes

Finish: Mar/UV Resistant Paint

Material: Aluminum

### Unless Otherwise Specified:

.XXX = 0.010  
.XX = .015  
.X = .03

XX° = +/- .05°  
X° = +/- .5°

### PROPRIETARY AND CONFIDENTIAL

THE INFORMATION CONTAINED IN THIS DRAWING IS THE SOLE PROPERTY OF MotoAlliance Inc. ANY REPRODUCTION IN PART OR AS A WHOLE WITHOUT THE WRITTEN PERMISSION OF MotoAlliance Inc. IS PROHIBITED.

# SIRIUS LED

by MotoAlliance

TITLE:

30" Double Row Light Bar

SIZE  
**A**

DWG. NO.  
LED-D30

REV  
**A**

SCALE: 1:4

SHEET 1 OF 1